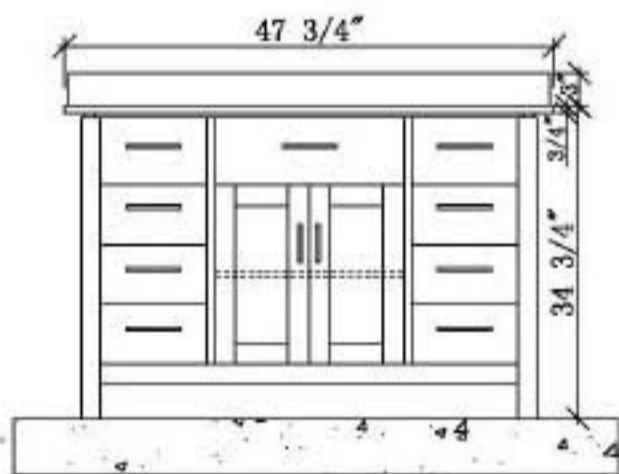
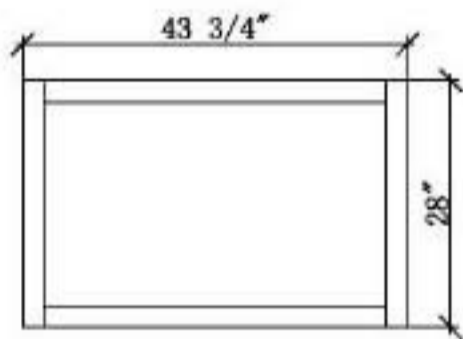
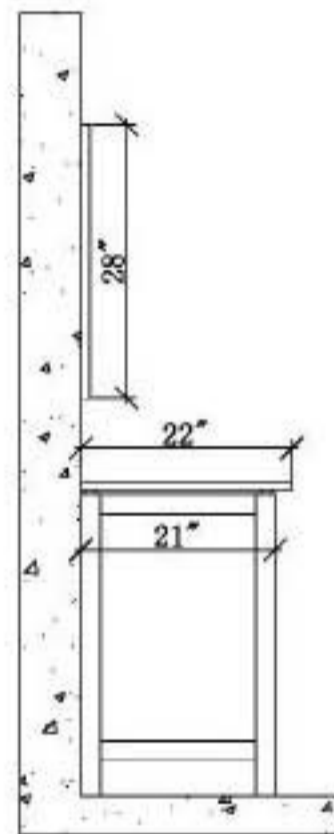




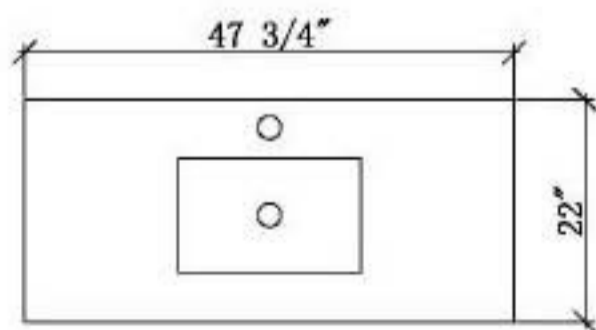
CAUTION
COMPONENTS ARE HEAVY AND MAY REQUIRE
TWO PEOPLE



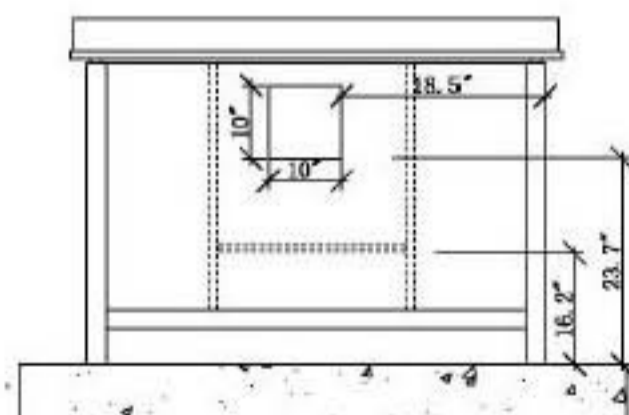
Front View



Left Elevation



Plan View



Rear Elevation

We reserve the right to change the dimensions without notice.
 We recommend you rough-in the supply-lines and drain after receiving the unit.

Marble / Granite Care

The best method for cleaning marble is to use a clean terry cloth and lukewarm water.

If something does spill on the marble, wipe it up as soon as possible for the very best results.

We recommend re-sealing your stone approximately every 18 months with StoneSpecific penetrating sealers. These products can be found at The Home Depot nationwide

STONE § SPECIFIC™

